

**100W****SUNSPOT™ 36-4000 SERIES**

Highest performance in the industry. SunSpot 36-4000 Series Landing Lights are designed as an LED drop-in replacement for existing legacy lights in a PAR36 configuration.

**-H MODEL** includes AeroLEDs signature integrated Pulse (WigWag) functionality. This feature helps to significantly increase recognition in both broad daylight as well as night operations, aiding in the avoidance of midair collisions and bird strikes. While in operation, this self contained pulse function reduces load on the electrical system by 50% as compared to incandescent bulbs.

**FEATURES**

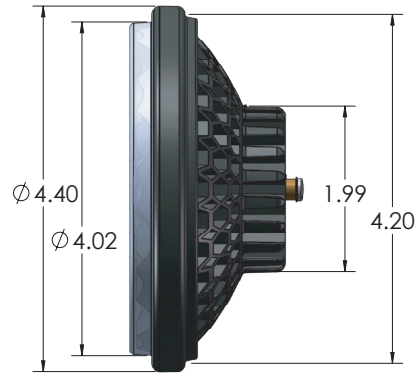
- Over 75% more light output than the competition
- Power consumption: 100 watts max
- Color temperature – white
- Built-in pulse mode (-H models)
- Synchronization
- Easy installation
- 30k hr MTBF
- Built-in thermal protection
- Aluminum/black powder coated heat sink
- UV hardcoated polycarbonate lens

1011-0003 Rev IR

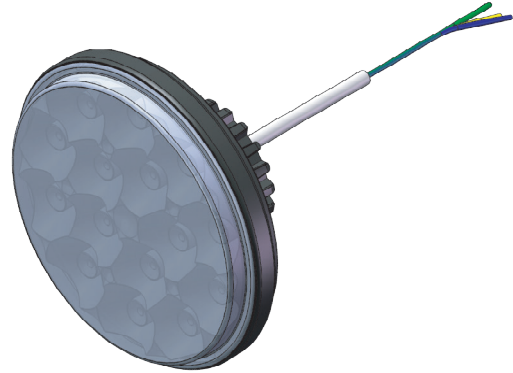
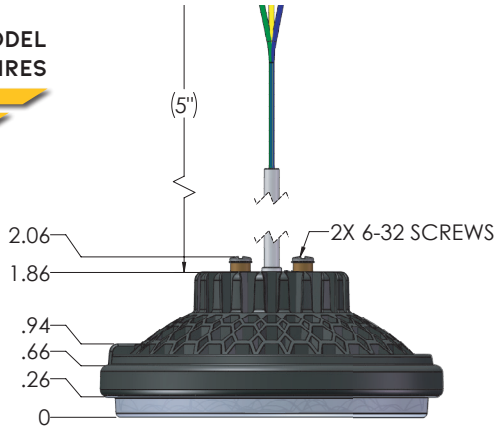
**THE**  
**AEROLEDs™**  
STANDARD**INDUSTRY LEADING**  
**PERFORMANCE****5-YEAR WARRANTY****HIGH EFFICIENCY****SHOCKPROOF****LESS DRAG****LONG LIFE****LANDING**

FAA- Approvals

Installation  
Manual



-H MODEL  
SHOWN WITH WIRES



SPECIFICATIONS		LANDING LIGHT			
36-4000		01-1030-4313	01-1030-4313-H	01-1030-4596	01-1030-4596-H
Certification		FAA-PMA/STC			
Voltage	Nominal	14VDC		28V AC/DC	
	Minimum	9VDC		18V AC/DC	
	Maximum	15VDC		30V AC/DC	
Current		7.1A @ 14VDC		3.5A @ 28VDC	
Power		95W		100W	
Lumens		11,000			
Candela		150,000			
Beam Profile (@10% peak)		20° Vertical x 20° Horizontal			
Dimensions (L x W x D)		4.4" x 4.4" x 2.1"			
Weight		11.5oz			
Mounting		PAR36			